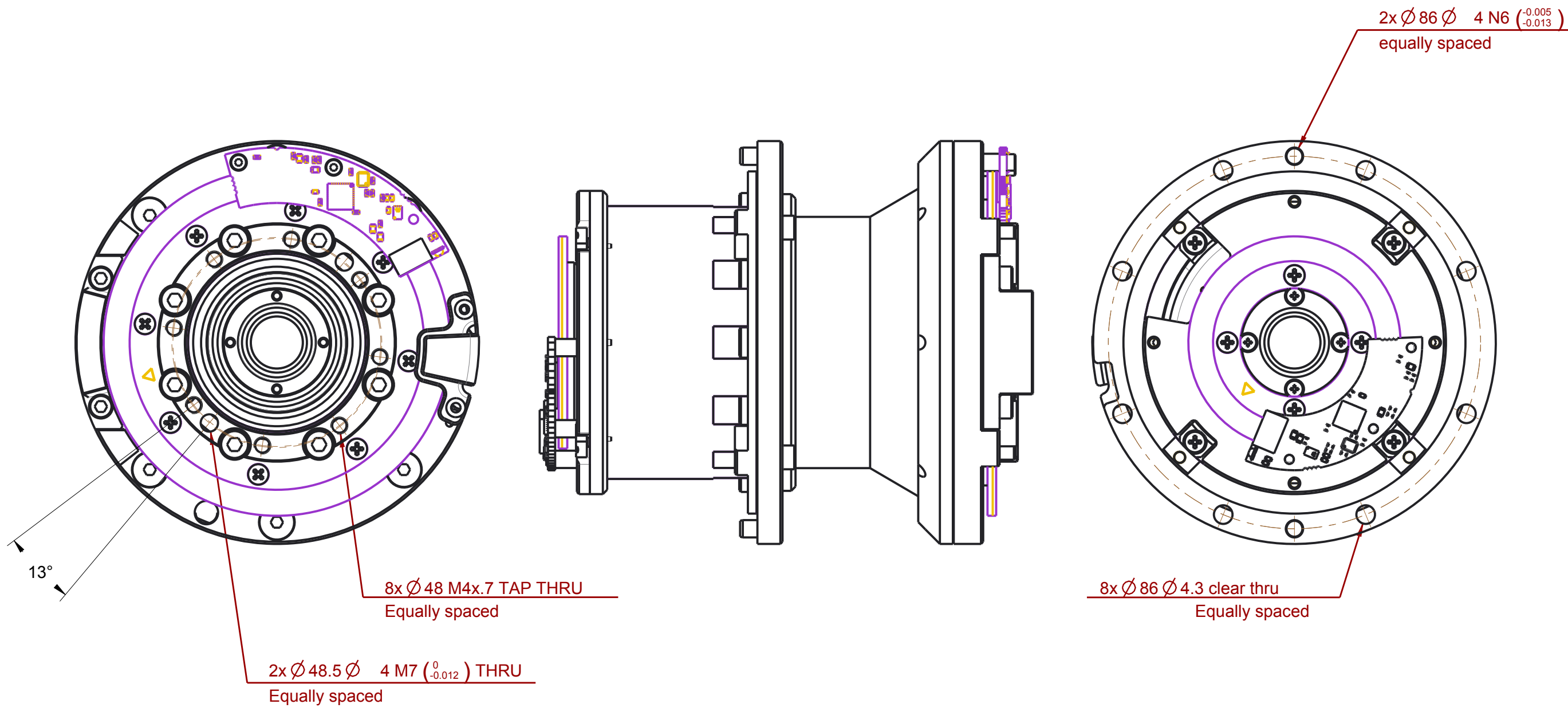


Lemon interface assembly



Material:		Undim. Rounds	Undim. Chamfers
Treatment:		R=0.5	0.5 x 45°
Tolerances according to UNI ISO 8015	General tolerances UNI EN 22768-1 / 22768-2		Metric threads ISO
	Dimensional Tolerance class - m Geometric Tolerance class - K		Roughness
	Issued	Drawn	Checked
	IIT	F.Di Dea	Approved
Description		XXXXXXXXXXXX	
	Model Ref.	CE0121A1	Scale
	Assembly Ref.		1:1
	Sheet		1/1
Drawing code		LEMON_INTERFACE_ASSEMBLY	
		Date	
		06-NOV-17	