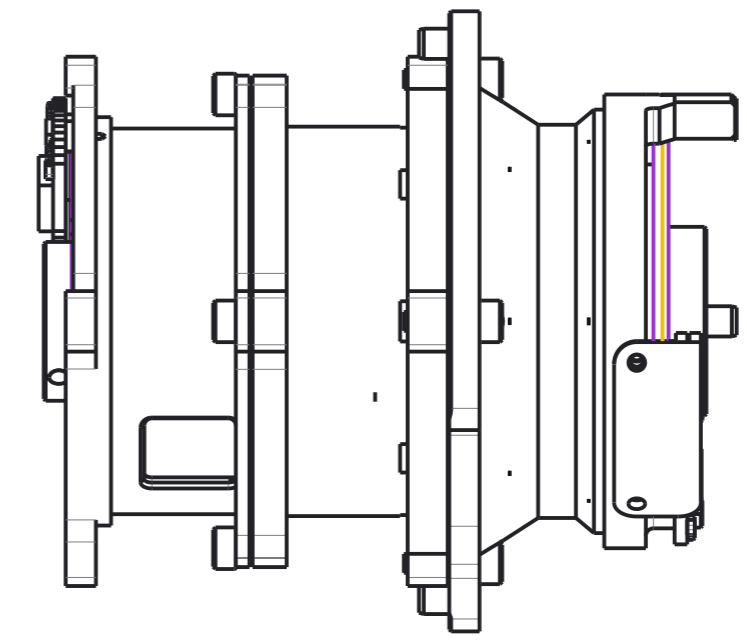


2x Ø 4 N6 $\begin{pmatrix} -0.005 \\ -0.013 \end{pmatrix}$
equally spaced

Ø 76

Ø 19 Ø 4 J7 $\begin{pmatrix} +0.01 \\ -0.01 \end{pmatrix} \nabla 4$
(See Sec A-A)

6x Ø 19 M4 Tap Thru



Material:		Undim. Rounds	Undim. Chamfers
Treatment:		R=0.5	0.5 x 45°
Tolerances according to UNI ISO 8015	General tolerances UNI EN 22768-1 / 22768-2		Metric threads ISO
	Dimensional Tolerance class - m Geometric Tolerance class - K		Roughness
	Issued	Drawn	Checked
	IIT	F.Di Dea	Approved
Description		Mass Kg	Size
	Model Ref.	CE0144A1	Scale
	Assembly Ref.		1:1
	Sheet		1/1
Drawing code		AVOCADO_INTERFACE_ASSEMBLY <small>Date: 06-NOV-17</small>	