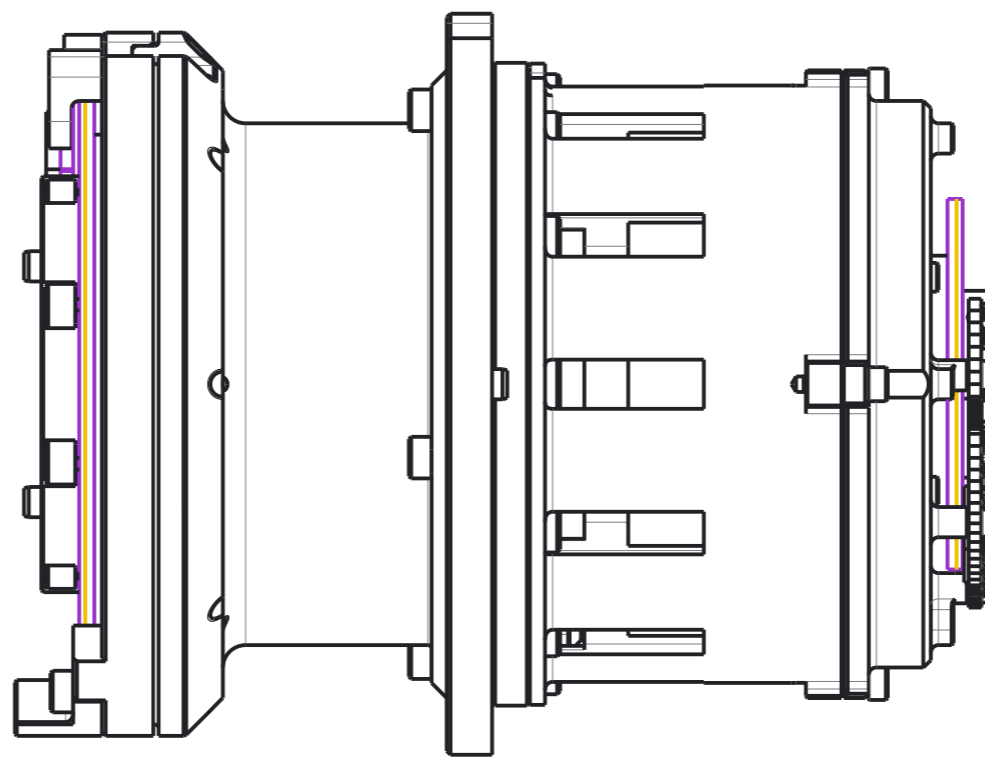
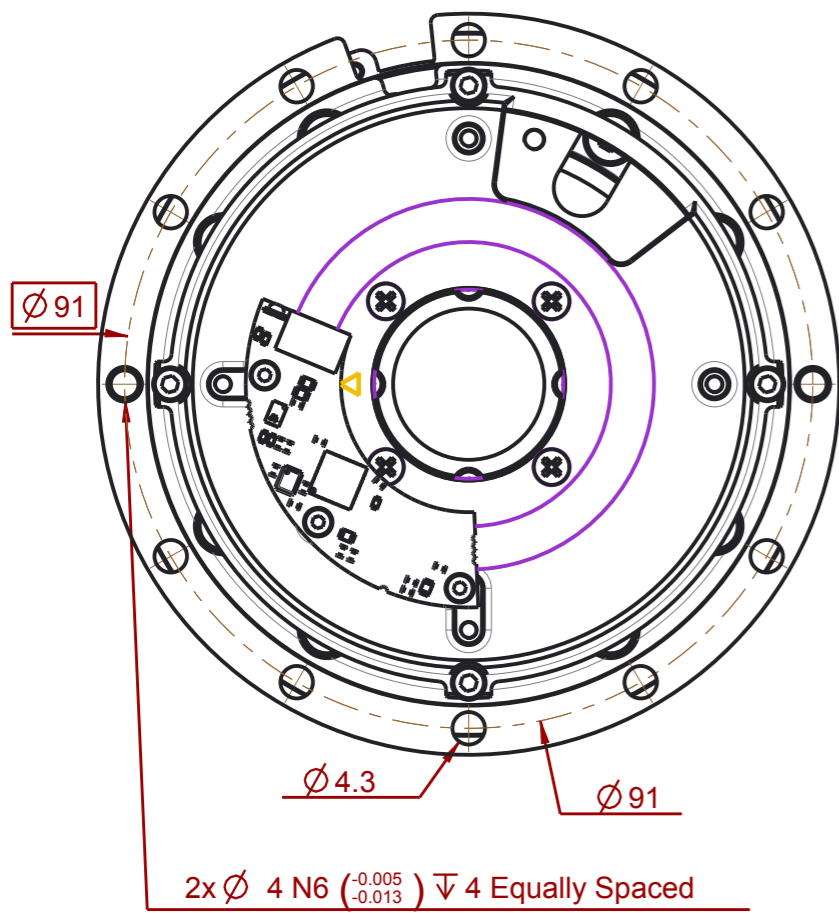
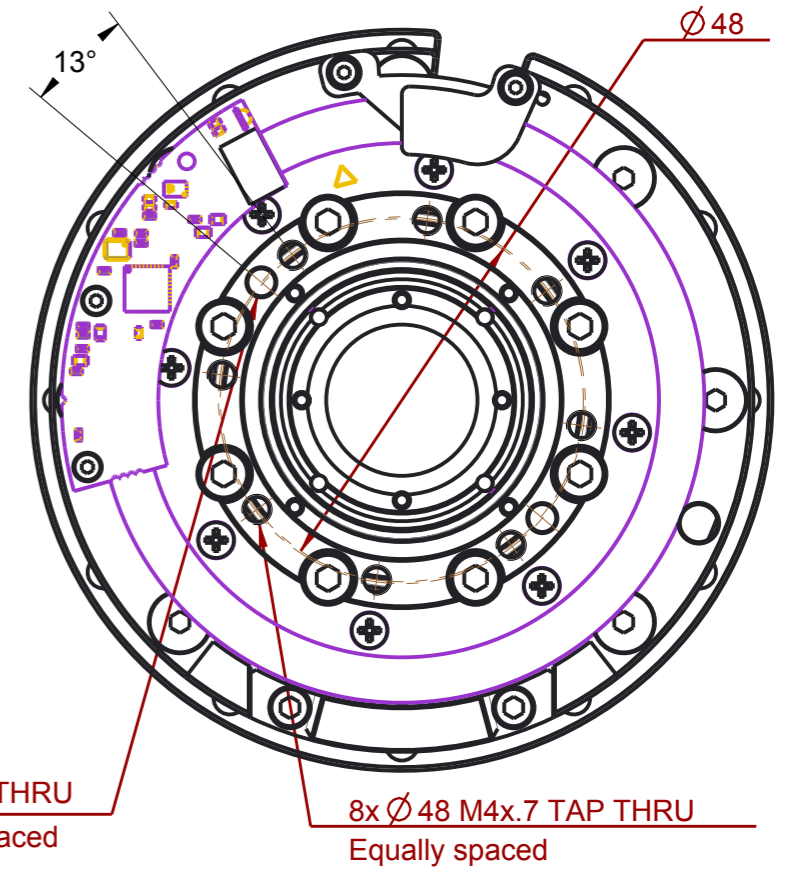


Pommegranate interface assembly



$2x \varnothing 48.5 \varnothing$ 4 M7 $\left(\begin{smallmatrix} 0 \\ -0.012 \end{smallmatrix} \right)$ THRU
 Equally spaced



Material:		Undim. Rounds	Undim. Chamfers
Treatment:		R=0.5	0.5 x 45°
Tolerances according to UNI ISO 8015	General tolerances UNI EN 22768-1 / 22768-2		Metric threads ISO
	Dimensional Tolerance class - m Geometric Tolerance class - K		Roughness
	Issued	Drawn	Checked
	IIT	F.Di Dea	Approved
	Mass Kg	1.747	Size
	Size	A3	
Description	XXXXXXXXXX		
	Model Ref.	CPL_25A_160_CIRCULAR	Scale
	Assembly Ref.		Sheet
	Drawing code	ASSEMBLY_INFO	Date
			06-Nov-17